

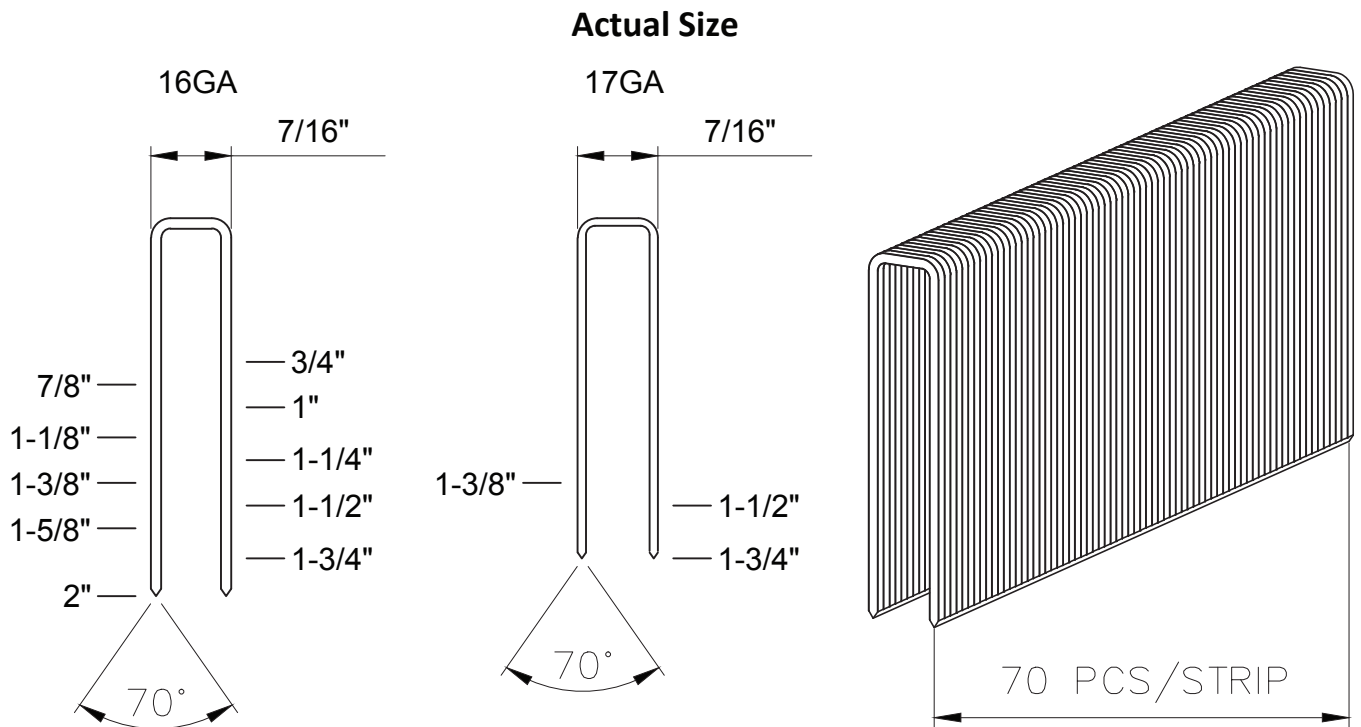
MEDIUM CROWN STAPLES

16 Gauge & 17 Gauge, 7/16" Med Crown, N & ON-Series Staples

Use with the following UNICATCH tools: USN50D

Interchangeable with: Senco, Hitachi, Porter-Cable & Fasco

ITEM#	DESC.	LENGTH	WT/CTN (LBS)	M/BX	BXS/CTN	PLT Q'TY (BY CARTONS)	LIST PRICE	
							PER/M	PER/CTN
16 Gauge								
86809	N19	3/4"	15	10	1	192	\$3.40	\$34.00
86812	N22	7/8"	17	10	1	140	\$3.50	\$35.00
86814	N25	1"	18	10	1	140	\$3.70	\$37.00
86817	N28	1-1/8"	20	10	1	120	\$4.00	\$40.00
86819	N32	1-1/4"	23	10	1	120	\$4.30	\$43.00
86822	N35	1-3/8"	24	10	1	100	\$4.40	\$44.00
86824	N38	1-1/2"	27	10	1	100	\$4.80	\$48.00
86826	N40	1-5/8"	28	10	1	100	\$4.90	\$49.00
86829	N45	1-3/4"	30	10	1	84	\$5.40	\$54.00
86834	N50	2"	34	10	1	84	\$6.00	\$60.00
17 Gauge (Similar to Senco O/Bostitch 17S5/BeA 14 series)								
86852	ON35	1-3/8"	21	10	1	100	\$4.00	\$40.00
86854	ON38	1-1/2"	23	10	1	100	\$4.20	\$42.00
86859	ON45	1-3/4"	25	10	1	84	\$5.00	\$50.00



****Stainless steel available on special order. Please call for quote and availability****